

60" BARTLETT CAST IRON ROLL TOP TUB

Cat. No.
CTR60



Features:

- ▶ Inside finish is white enamel
- ▶ Cast Iron ball and claw feet
- ▶ Tub exterior is white (epoxy)
- ▶ 3-3/8" centers in tub wall
- ▶ Non-skid strips
- ▶ Continuous rolled rim
- ▶ Feet are attached and leveled before shipment
- ▶ Tub is thoroughly inspected before shipment

Foot Finishes:

- UF Unfinished
- BL Painted Black
- BQ Painted Bisque
- PB Polished Brass



- CP Polished Chrome
- WH Painted White
- PN Polished Nickel
- SN Brushed Nickel
- ORB Oil Rubbed Bronze

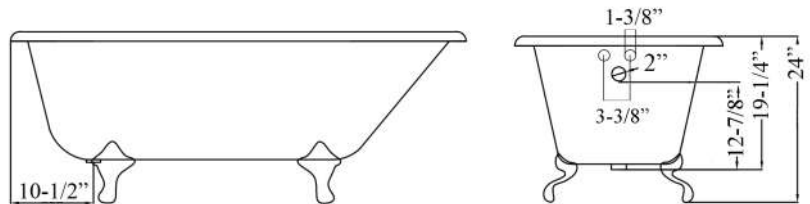
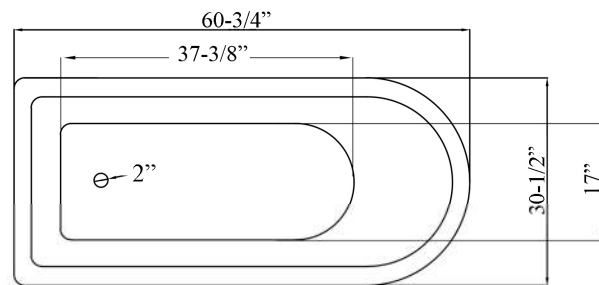
L: 60-3/4"
W: 30-1/2"
H: 24" (from floor to top of tub)
19-1/4" (from bottom of tub to top of tub)

Custom Colors Available (inside of tub is always white enamel):
Painted bathtubs are considered "special order" and are not returnable
\$160 Bisque or Black \$250 Designer Color

The following is recommended for CTR60 tubs with faucet holes:

- Tub wall-mounted faucets for hand-held showers: part# **4022, 4025 or 4035**
- Tub wall-mounted faucets for use with risers: part# **4001, 4013, 4023, 4030 or 4031**
- Double offset bath supplies: part #**5576**
- Leg tub drain: part #**5599**
- Complete shower unit: part# **4124, or 4143**

Gallon Capacity: 40
Shipping Weight: 500 lbs.
Empty Weight: 287 lbs.
Filled Weight: 621 lbs.



Dimensions of fixture are nominal and may vary within the range of tolerance established by ANSI standard A112.19.2. Dimensions and specifications subject to change with out notice.

CODE RECTANGULAR SHOWER UNIT

Cat. No.
4198



Features:

- ▶ Rectangular shower rod is $\frac{3}{4}$ " solid brass tubing
- ▶ Code spout is 4" above handles
- ▶ $3\frac{3}{8}$ " Centers for tub wall mount installation
- ▶ Compression stems
- ▶ Flow rate is 4 GPM
- ▶ Metal lever handles
- ▶ Polished Chrome and Polished Brass have plastic showerhead
- ▶ Brushed Nickel, Polished Nickel and Oil Rubbed Bronze have a metal showerhead
- ▶ Includes ceiling and wall support assemblies
- ▶ Supports adjustable by cutting
- ▶ Available with 48" (#4198-48) or 54" (#4198-54) shower rod
- ▶ Finish varies by size

Finishes:

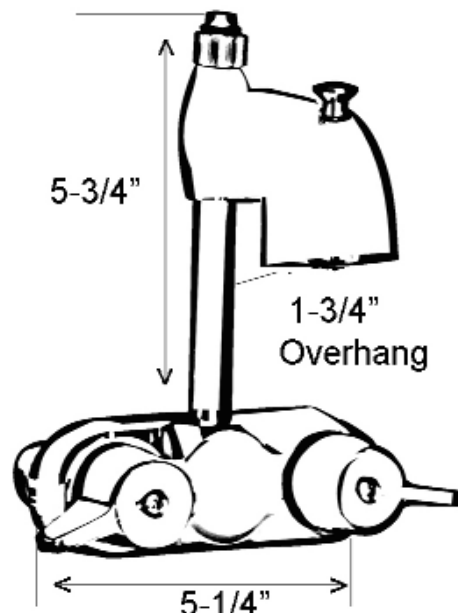
CP Polished Chrome
BN Brushed Nickel
PB Polished Brass
PN Polished Nickel
ORB Oil Rubbed Bronze

SIZE	FINISH
48" x 24"	CP, BN, ORB, PB, PN
54" x 24"	PB, CP

Shower Rod:

L: 48" D: 24"
 L: 54" D: 24"

Riser Height: 56"
 Wall Support: 10"
 Ceiling Support: 30"
 Spout Over-hang: 1 $\frac{3}{4}$ "
 Faucet Body Width: 5 $\frac{1}{2}$ "



Dimensions are nominal and may vary. Dimensions and specifications subject to change without notice.

DOUBLE OFFSET BATH SUPPLIES

Cat.No.
5576



H: 24"

OD: 1/2"

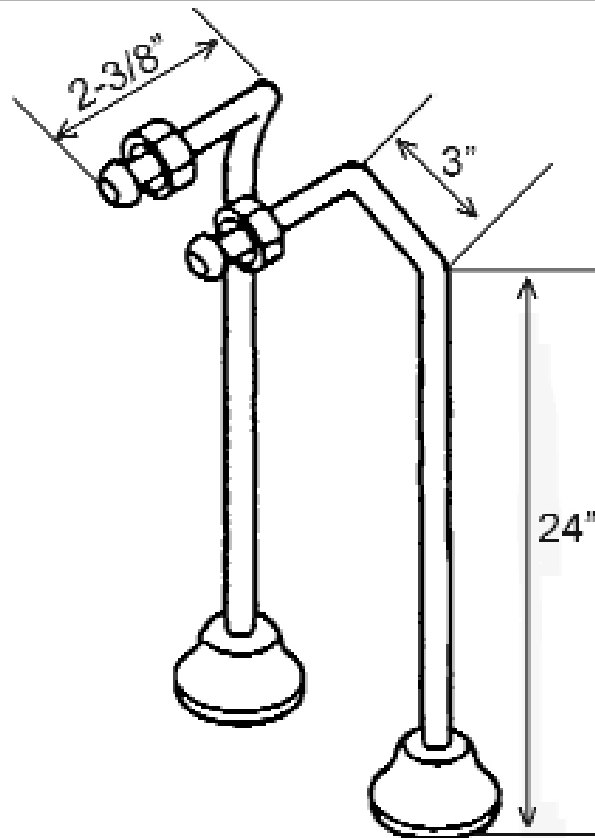
Features:

- ▶ For use with faucets mounted to the tub wall
- ▶ No Stops
- ▶ 1/2" Compression inlet
- ▶ 3/4" Compression outlet
- ▶ 0.500" Outer diameter
- ▶ 0.440" Inner diameter
- ▶ 0.030" Thickness of the wall
- ▶ Available in 5 finishes

Compliance Certification
Meets or exceeds the following specifications: ASME-A112 (and 19.6M) for Vitreous china fixtures. ASME 112.19.9M for fire clay fixtures.

Finishes:

- | | | | |
|------------|-------------------|-----------|-----------------|
| CP | Polished Chrome | PN | Polished Nickel |
| PB | Polished Brass | BN | Brushed Nickel |
| ORB | Oil Rubbed Bronze | | |



Use on concrete floors requires special installation. We recommend using a plumbing professional.

Dimensions and specifications subject to change without notice.

LEG TUB DRAIN

Cat. No.
5599



Escutcheon Height: 1-1/4"

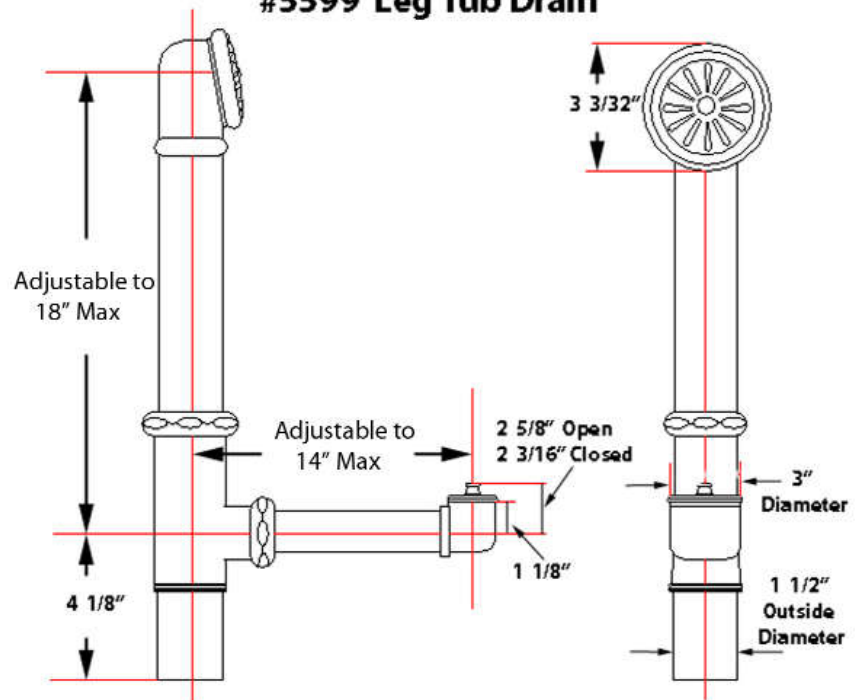
Features:

- ▶ Brass Construction
- ▶ Twist-and-lift stopper
- ▶ Includes deep escutcheon
- ▶ Height adjustable 15"-18"
- ▶ Depth adjustable 12"-14"
- ▶ Includes deep escutcheon
- ▶ Available in 5 Finishes

Finishes:

- CP Polished Chrome
- BP Polished Brass
- SN Brushed Nickel
- PN Polished Nickel
- ORB Oil Rubbed Bronze

#5599 Leg Tub Drain



Dimensions and specifications subject to change without notice.